



IT GRADE SWITCHING ADAPTER

6W INTERCHANGEABLE SWITCHING POWER ADAPTER

ICM06 Series

AC Input 90~264V	DC Output		
	Voltage	Current/A	Watts MAX
ICM06-xxx	5-8	0.75~1.2	6
	9-15	0.4~0.66	6
	16-18	0.333~0.375	6
	24	0.25 Max	6
	48	0.13 Max	6



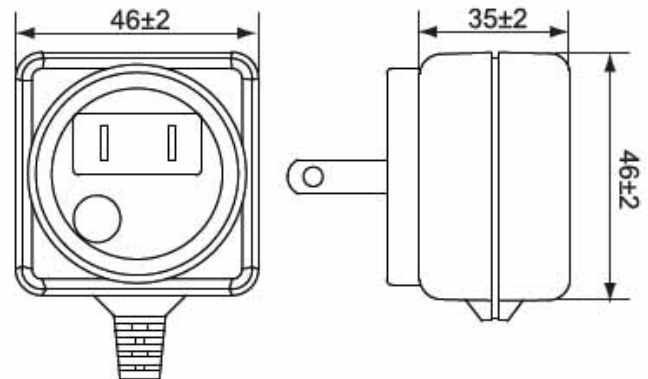
ELECTRICAL SPECIFICATION

- Input range : 90-264VAC(Full Range)
- Input current : 0.2 A rms(Max) at 115V input.
- Frequency 50-60Hz
- Efficiency : > 60% minimum at full output
- Output voltage : See rating chart
- Output current : See rating chart
- Ripple : 1% peak to peak maximum
- Protection : Over Current Protection(OCP)
Over Voltage Protection(OVP)
AC recycle short circuit protection :
Over Temperature protection

Safety Agency Approvals: CB CE

ENVIRONMENTAL

- Operating temperature: 0°C to +40°C ambient
- Storage temperature: -20°C to + 60°C
- MTBF : >100,000 hours at full load and 25°C ambient temperature

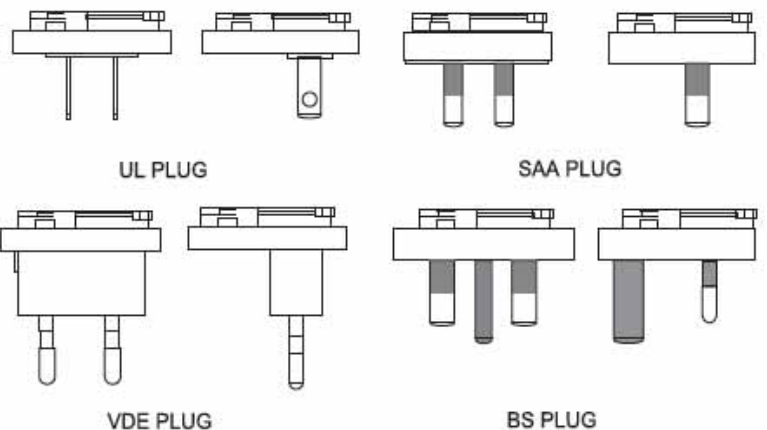


SAFETY

- (A)UL 60950-1 CAN/CSA-C22.2 No.60950-1-03
- (B)EN60950-1 CB IEC 60950-1
- (C)J60950(H19)

EMI

- EN 55022,FCC 47 CFR Part 15 Subpart B
- C-Tick AS/NZS CISPR22
- J55022(H14)



MEDICAL

INTERCHANGEABLE

CHARGER

IT